

# JOINT CONNECTOR "ZIMAK"

## JOINT CONNECTOR "ZIMAK"

Apply where invisible joints of great strenght are desired such as beds, tables and other corpus constructions

**Material**

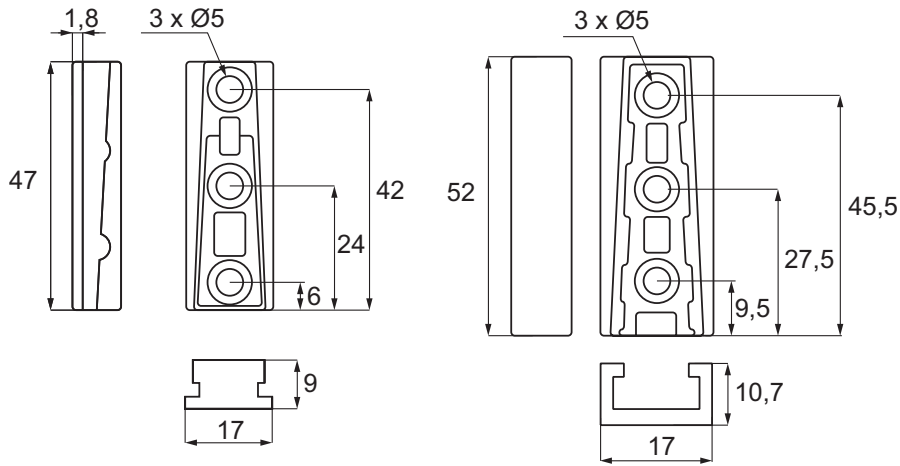
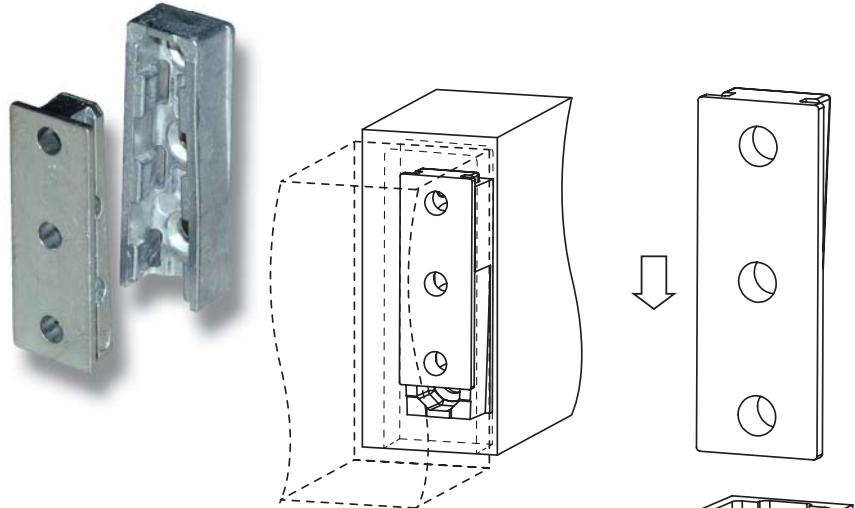
Zamak, raw

**Item No.**

Female part # 11.01.500

Male part # 11.01.501

Apply screws 4 - 4,5 mm for attachment of this fitting to panels



# ROW CONNECTOR

## ROW CONNECTOR

Ideal to connect rows of furniture such as chairs, tables etc.

**Material**

Nylon, black

**Item No.**

Male part # 06.05.066

Female part # 06.05.067

Screws to be bought seperately

