

CABINET SUSPENSION FITTING "AEKI"

- high quality furniture fittings

Material:

Cover Cap - plastic

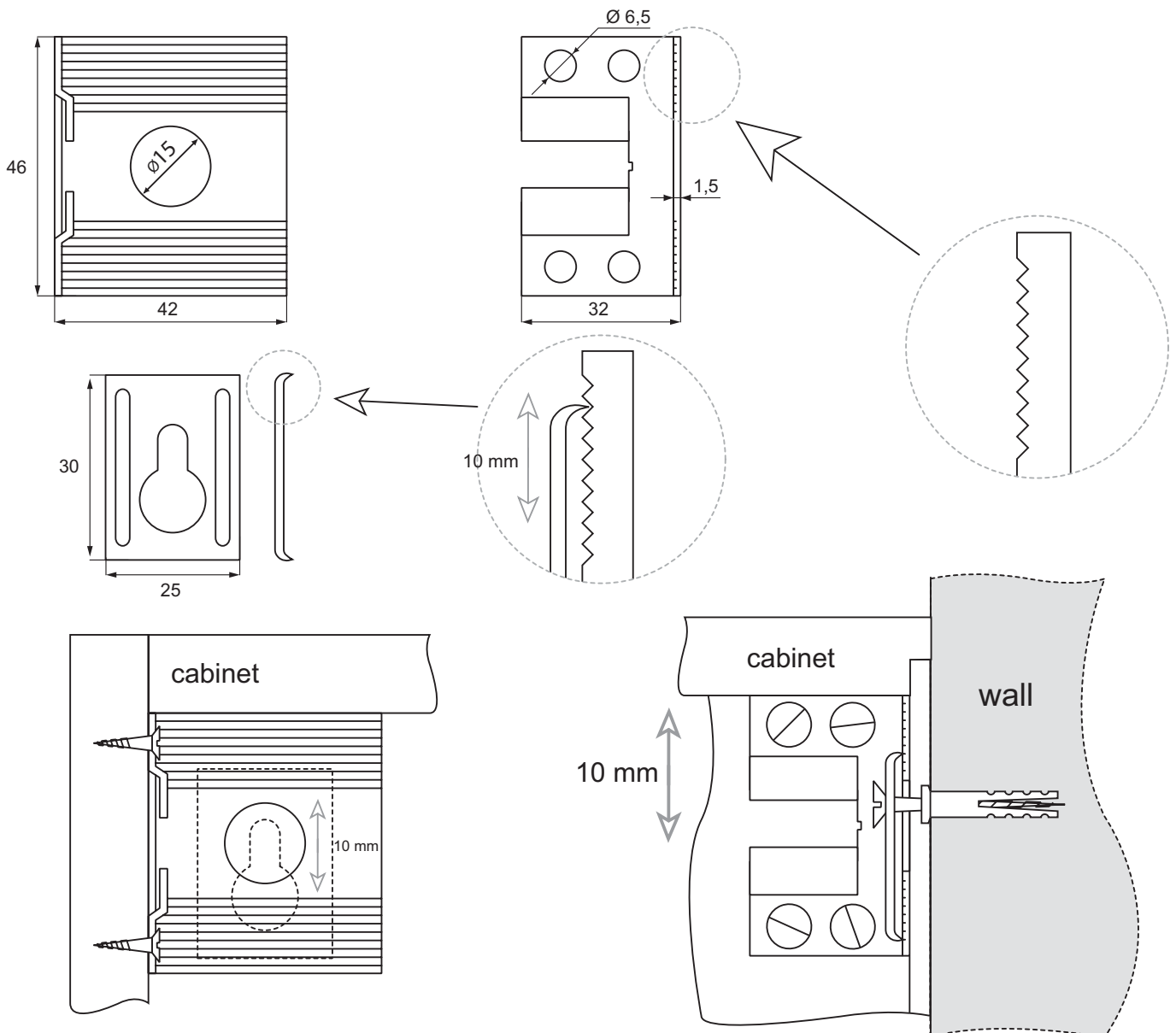
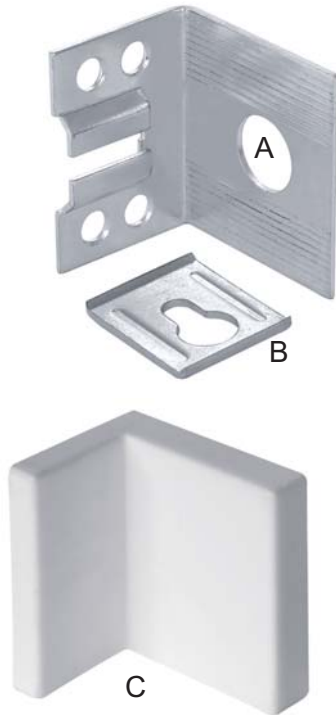
Brackets - Steel, bright zinc plated

Mounting instruction:

1. Fasten part "A" to the top corners of the cabinet
2. Mark on the wall the point for drilling inside the round hole "A"
3. Place the cabinet onto the wall with round holes of part "A" to be placed onto the screws already premounted in the wall
4. Place part "B" onto the screws and onto the part "A" as illustrated
5. Tighten the wall screw and hide part "A/B" with cover cap

Item No.:

22.08.000



CABINET SUSPENSION FITTING "SLOV"

Material:
 Cover Cap - plastic
 Brackets - Steel, bright zinc plated

- Mounting instruction:**
1. Fasten part "A" to the top corners of the cabinet
 2. Mark on the wall the point for drilling inside the square hole "A"
 3. Place the cabinet onto the wall with square hole of part "A" over the screw hole in the wall
 4. Insert the screw into part "B" and tighten the wall screw
 5. Hide part "A" & "B" with the plastic cover cap

Item No.:

White	# 22.08.005
Brown	# 22.08.006
Beech colour	# 22.08.007
Oak colour	# 22.08.008
Cherry colour	# 22.08.009

