

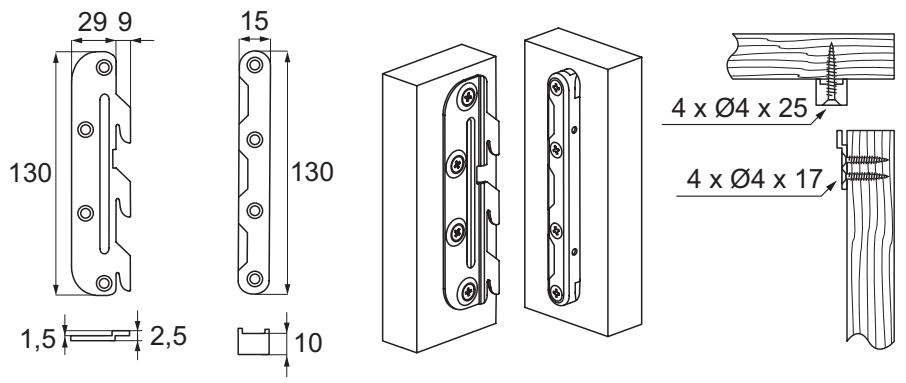
## BED RAIL BRACKET MODEL 3750

### BED RAIL BRACKET MODEL 3750

**Material**  
Steel

**One set consist of**  
4 male parts  
4 female parts

**Item No.**  
Yellow zinc plated # 11.01.060  
Bright zinc plated # 11.01.061



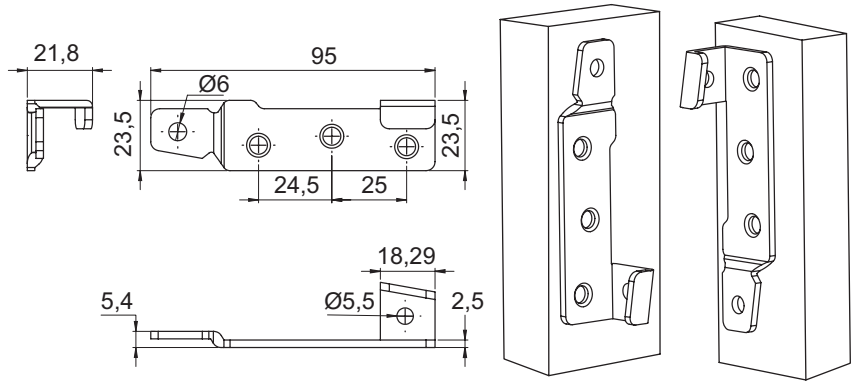
## BED RAIL BRACKET MODEL 3553

### BED RAIL BRACKET MODEL 3553

**Material**  
Steel

**One set consist of**  
4 male parts  
4 female parts

**Item No.**  
Yellow zinc plated # 11.01.010



## BED RAIL BRACKET MODELS 3703 & 3704

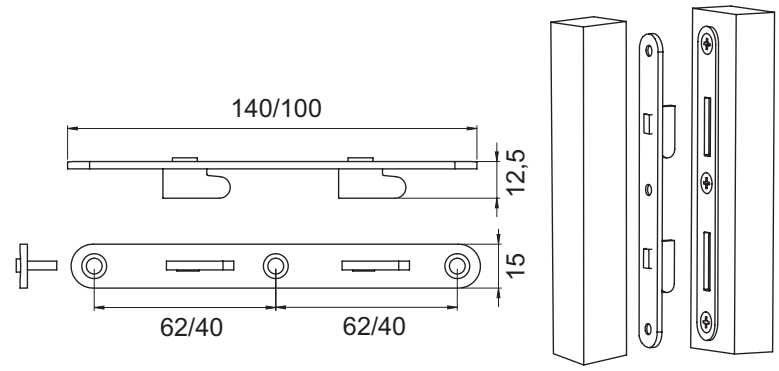
### BED RAIL BRACKET MODELS 3703 & 3704

Double hooks  
Rounded corner

**Material**  
Steel

**One set consist of**  
4 male parts  
4 female parts

**Item No.**  
**Model 3703 - 100 mm**  
Bright zinc plated # 11.01.045  
**Model 3704 - 140 mm**  
Bright zinc plated # 11.01.035



# SUPPORT BRACKET MODEL 3892

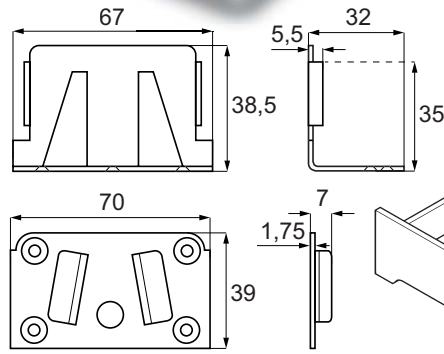
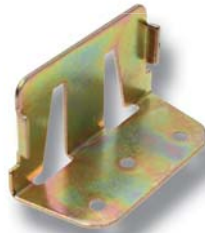
- high quality furniture fittings

## SUPPORT BRACKET MODEL 3892

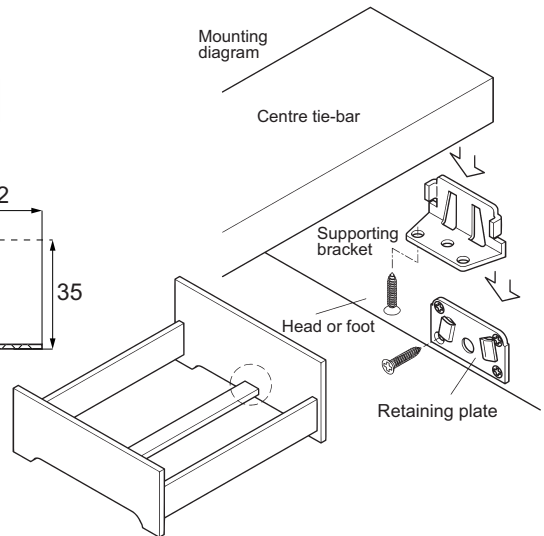
**Material**  
Steel, yellow zinc plated

**Item No.**

Male part # 11.02.035  
Female part # 11.02.040



Mounting diagram



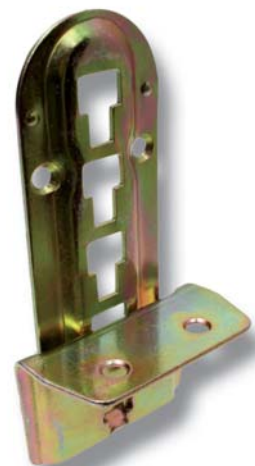
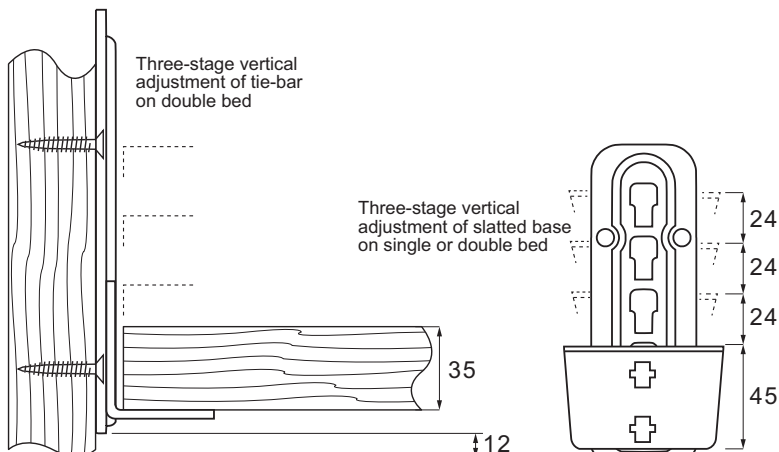
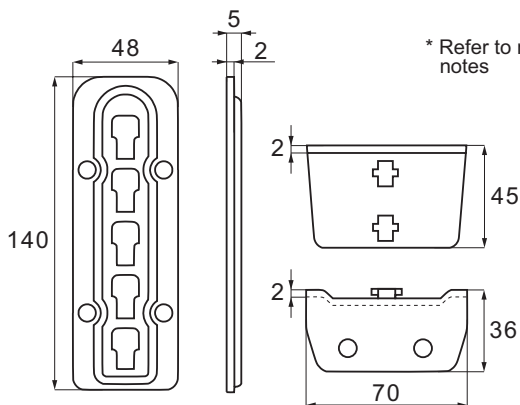
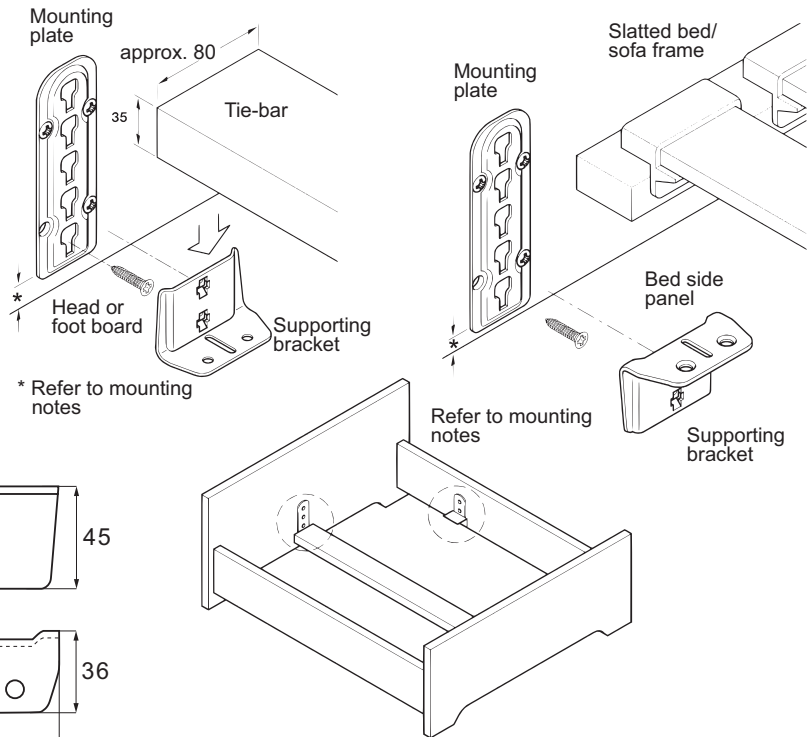
# SUPPORT BRACKET MODEL "REGULO"

## SUPPORT BRACKET MODEL "REGULO"

**Material**  
Steel

**One set consist of**  
1 male part  
1 female part

**Item No.**  
Yellow zinc plated # 11.01.110



# JOINT CONNECTOR "ZIMAK"

## JOINT CONNECTOR "ZIMAK"

Apply where invisible joints of great strenght are desired such as beds, tables and other corpus constructions

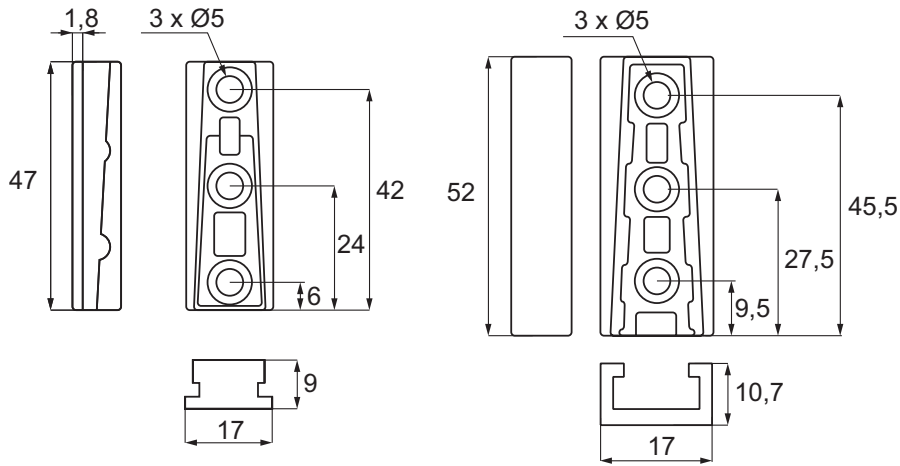
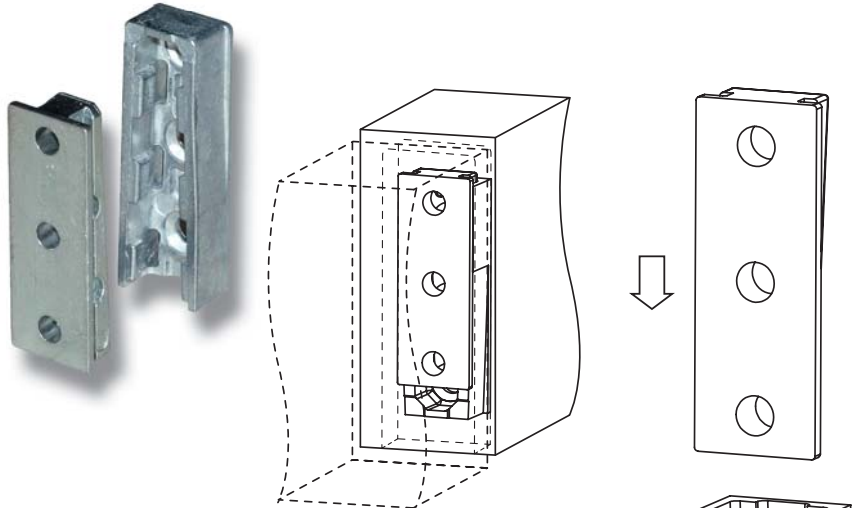
**Material**

Zamak, raw

**Item No.**

Female part # 11.01.500  
Male part # 11.01.501

Apply screws 4 - 4,5 mm for attachment of this fitting to panels



# ROW CONNECTOR

## ROW CONNECTOR

Ideal to connect rows of furniture such as chairs, tables etc.

**Material**

Nylon, black

**Item No.**

Male part # 06.05.066  
Female part # 06.05.067

Screws to be bought seperately

