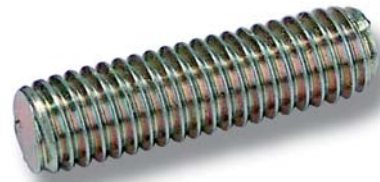


THREADED BOLTS

Material	Steel, yellow zinc plated (other finishes on request) Stainless Steel, Natural Brass, Natural
Thread	M6 or M8
Lengths	From 18 up to 1000 mm
Item No.	# 12.08.123 etc.



Steel, (YZP)

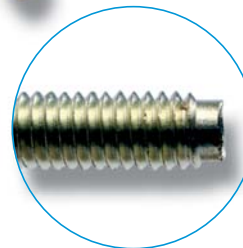
FIFTEEN SCREWS

Material	Steel, yellow zinc plated (other finishes on request) Stainless Steel AISI 316 Brass, Natural
Head size	Ø15 x 2,5 mm (Ø13 & 17 mm on request)
Hex size	4 mm
Thread	M6 (M8 on request)
Lengths	25/30/35/40/45/50/60/70/80/90/100 & 120 mm
Type	With 3 mm point or conical (see illustration)
Item No.	# 12.00.791 etc.



Stainless Steel
AISI 316

Steel, (YZP)



Conical



Point

FIFTEEN WOOD SCREWS

Material	Steel, yellow zinc plated (other finishes on request)
Head size	Ø15 x 2,5 mm
Hex size	4 mm
Thread	Ø6,3 mm
Lengths	40/50/60 & 70 mm (other sizes on request)
Type	With point (see illustration)
Item No.	# 12.01.340 etc.



Stainless Steel
AISI 316

Steel, (YZP)



Point

MUSHROOM SCREWS & INSEX SCREWS

MUSHROOM SCREWS

Material	Steel, yellow zinc or black oxidized Other materials & finishes on request
Head size	Ø15 mm
Hex size	4 mm (5 mm on request)
Thread	M6 (M8 on request)
Lengths	12/16/20/23/30/32/38/45/50/60/63/90 mm (other lengths on request)
Type	Blunt (Point on request)
Item No.	# 12.03.110 etc.



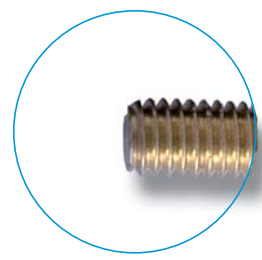
Blunt

INSEX SCREWS

Material	Steel, yellow zinc, brass plated or black oxidized Other materials & finishes on request
Head size	Ø12 x 4 mm (counter sunk)
Hex size	4 mm
Thread	M6 (M8 and M10 on request)
Lengths	32/35/38/44/50/51/57/60/63/76/90/ 100/120/126 mm (other lengths on request)
Type	Pointed or blunt (see illustration)
Item No.	# 12.04.004 etc.



Point



Blunt

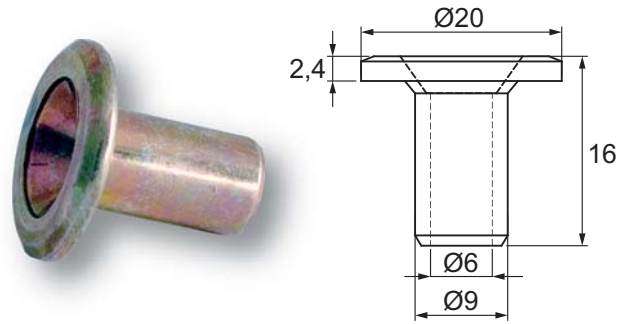
VARIOUS STAINLESS STEEL SCREWS, NUTS & WASHERS

Ask for any screw, nut & washer in stainless steel and we will quote you. No stock item. All on request



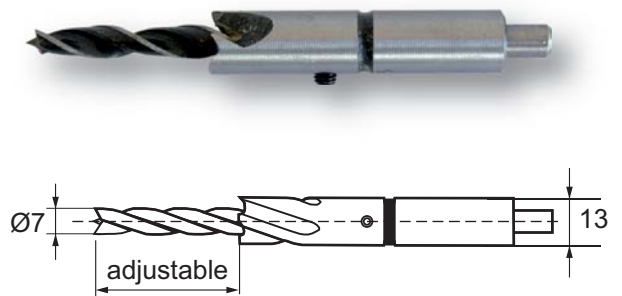
INSEX COLLARS - STEEL W/SHAFT

Material Steel, yellow zinc plated
Size Ø20 x 16 mm x M6
Item No. # 12.05.070



DRILL BIT F/INSEX SCREWS & COLLARS

Twin set boring bits for Ø7 mm and Ø13 mm in one operation
Item No. # 12.18.010



INSEX KEYS

Material Steel, hardened
Hex 4 or 5 mm or combi key with 4 & 5 mm
Finish Bright zinc plated (BZP) or black zinc plated
Type L-shaped or Z-shaped

Type	Size	Hex	Finish	Item No.
L-shaped	23 x 65 mm	4 mm	Black	# 12.06.010
L-shaped	28 X 65 mm	4 mm	BZP	# 12.06.015
L-shaped	31 X 75 mm	5 mm	BZP	# 12.06.021
Z-shaped	23 X 43 mm	4 mm	BZP	# 12.06.035
Z-shaped	22 X 48 mm	5 mm	BZP	# 12.06.040
Z-shaped	35 X 50 mm	4 & 5 mm	BZP	# 12.06.027

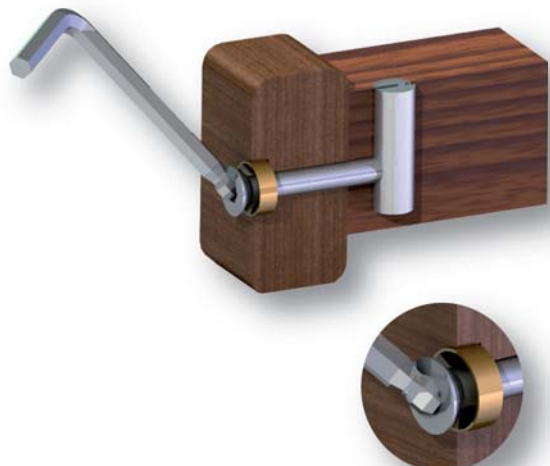


INSEX KEYS W/BALL POINT



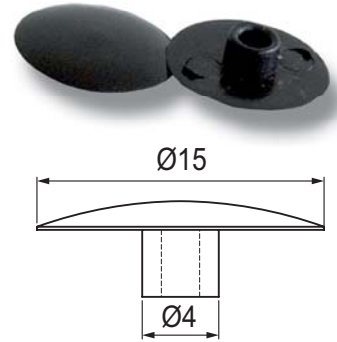
Material Steel, bright zinc plated
Hex 4, 5 or 6 mm
Type L-shaped

Type	Size	Hex	Finish	Item No.
L-shaped	28 x 73 mm	4 mm	BZP	# 12.06.061
L-shaped	15 X 65 mm	5 mm	BZP	# 12.06.063
L-shaped	16 X 63 mm	6 mm	BZP	# 12.06.062



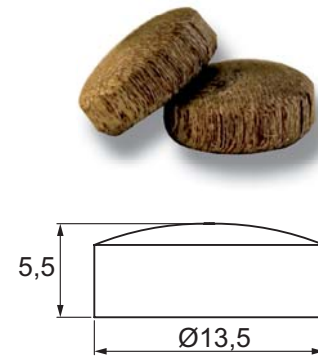
INSEX COVER CAP

Material	Plastic, black
Head size	Ø 12 mm, dome
Pin	Ø4,2 mm for 4 mm hex hole
Item No.	# 12.05.005



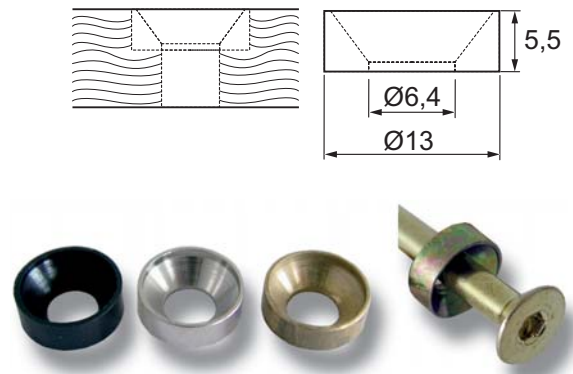
INSEX WOOD PLUGS

Material	Teak wood (other wood types on request)
Size	Ø13,5 x 5,5 mm
Item No.	# 12.05.020



INSEX COLLARS - BRASS

Material	Brass
Size	Ø13 x 4,5 mm x M6
Item No.	
Brass Natural	# 12.05.036
Brass Black Oxidized	# 12.05.039
Brass Nickel Plated	# 12.05.038



INSEX COLLARS - NYLON

Material	Nylon, Black
Size	Ø12,7 x 4,5 mm x M6
Item No.	# 12.05.040

