

# SNAP FITTING # 214

- high quality furniture fittings

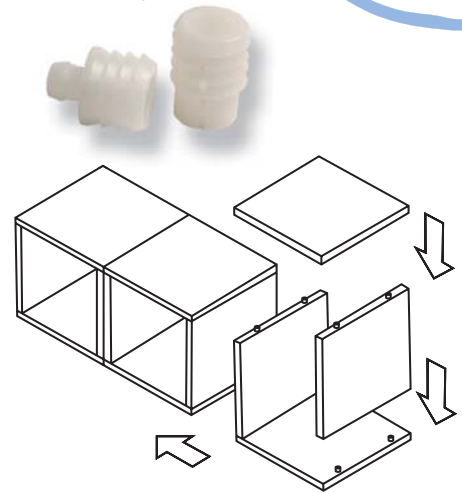
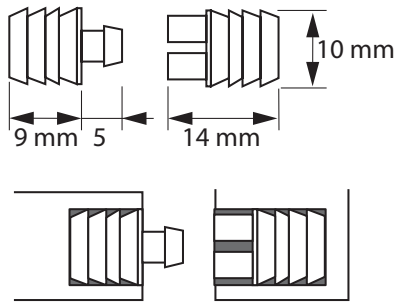
## SNAP FITTING # 214

**Bore**  
Ø 10 mm

**Material**  
Nylon, White

**Max load capacity pr. set**  
9 kg

**Item No. # 11.06.011 (2 parts)**



## EXPANSION DOWEL MODEL 1703

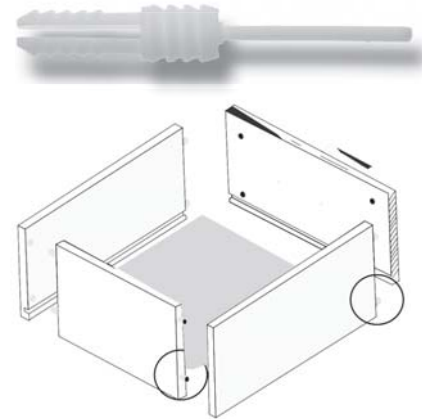
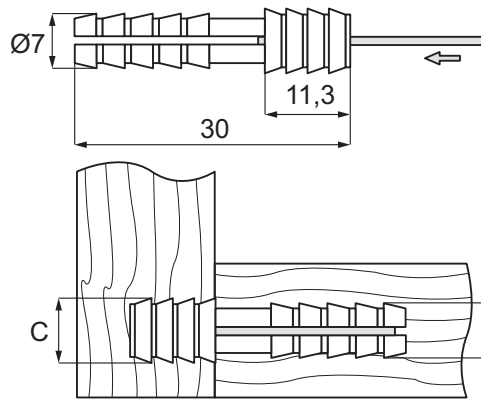
### EXPANSION DOWEL MODEL 1703

Applied for assembly of drawers and smaller cabinets

**Material**  
Plastic

**Item No. # 11.06.021**

**A = 6,3 - 6,4 mm**  
**C = 8 mm**



## MITRE DOWEL

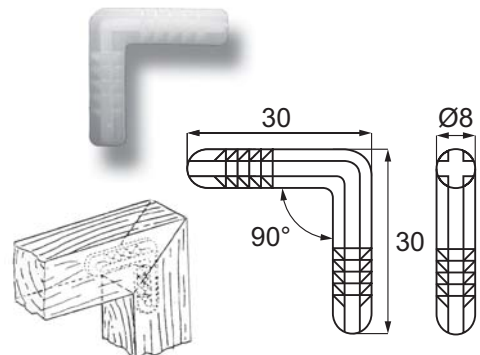
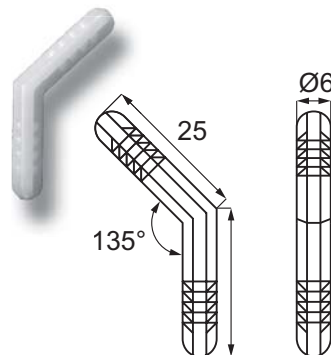
### MODEL 2525

### MODEL 2521

### MITRE DOWEL

**Material**  
White polyethylene

**Item No.**  
Model 2525 # 11.06.052  
Model 2521 # 11.06.050



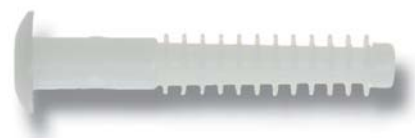
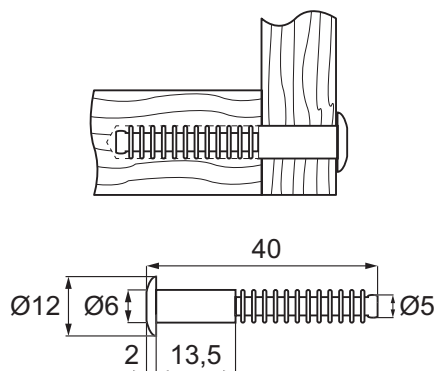
## FIXING DOWEL & PANEL CONNECTORS

### FIXING DOWEL & PANEL CONNECTORS

Widely applied in the upholstery industry as arm facing fixing dowel and as a connector in wooden drawers etc.

Other sizes upon request

**Item No. # 11.06.757**



# CLIP PANEL CONNECTOR "PUSH FIT"

- high quality furniture fittings

## CLIP PANEL CONNECTOR "PUSH FIT"

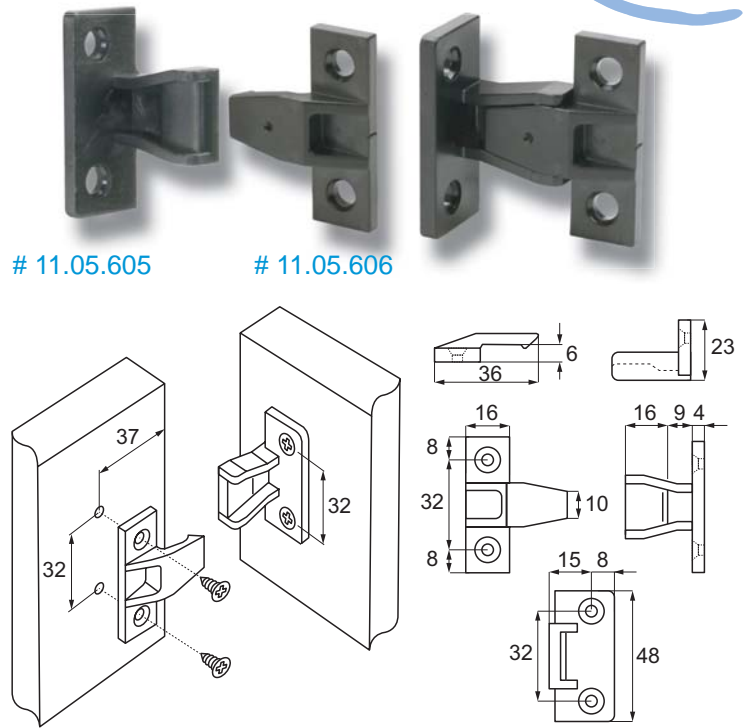
Designed to allow panels to be directly mounted from the front. The panel component locks into the frame element as the panels are pushed together. The strong clamping effect is sufficient to hold even heavy panels securely, yet the fasteners may be quickly released again without any special tools. Frame side may be mounted in system holes with euro screws or with wood screws.

**Material**  
PC, Black

**Max load capacity pr. set**  
20 kg

**Item No.:**

- Female Part for chipboard screws # 11.05.601
- Male Part for chipboard screws # 11.05.602
- Female Part for euro screws # 11.05.605
- Male Part for euro screws # 11.05.606

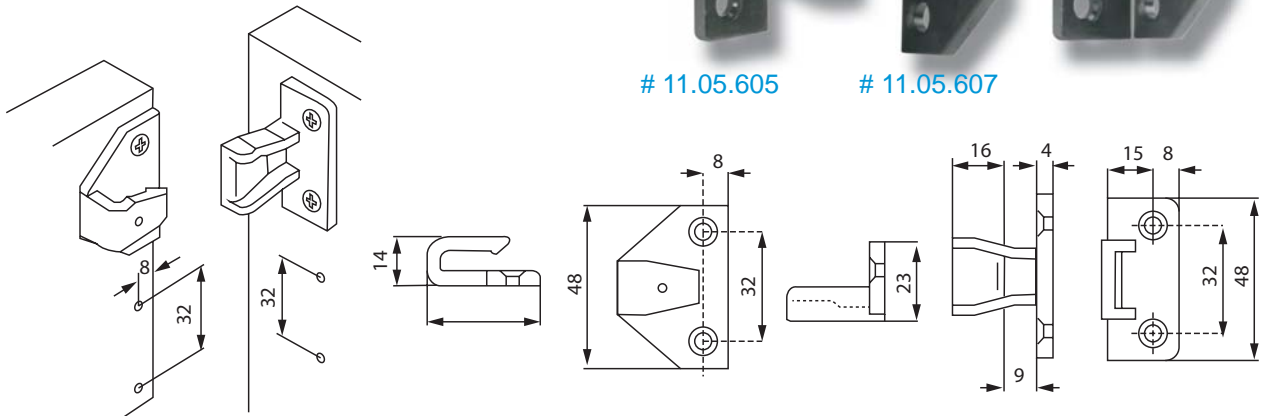


# CLIP PANEL CONNECTOR "PUSH-FIT" W/HOOK

## CLIP PANEL CONNECTOR "PUSH-FIT" W/HOOK

**Item No.:**

- Female Part for euro screws # 11.05.605
- Hook Male Part for euro screws # 11.05.607



# MULTI CLIP

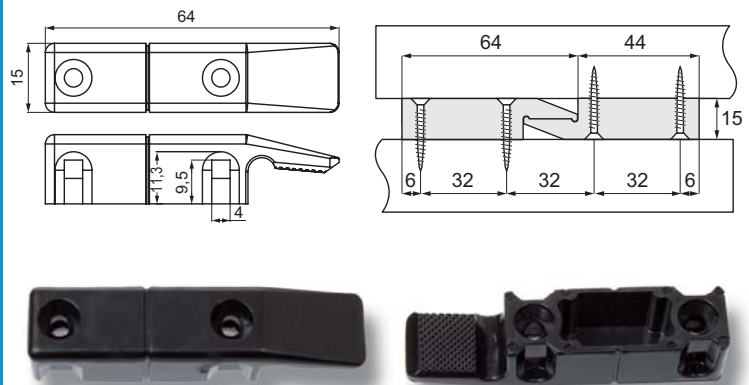
## MULTI CLIP

Multipurpose clip connector for furniture. Allows preassembly of sub-frames and fittings in the workshop. All of the panels, once installed, can be easily removed at any time and with no special tools. Mounted with chipboard screws.

**Material**  
PC, Black

**Max load capacity pr. set**  
20 kg

**Item No.:** # 11.05.610 (1 Pce - universal)



FOR ONE CONNECTION YOU NEED 2 PCS

# SUSPENDED HANGER FITTINGS

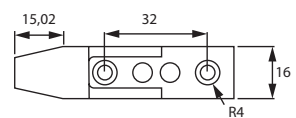
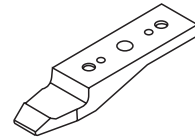
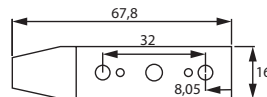
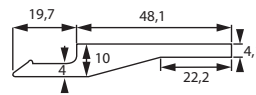
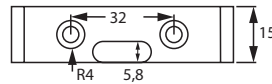
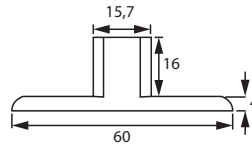
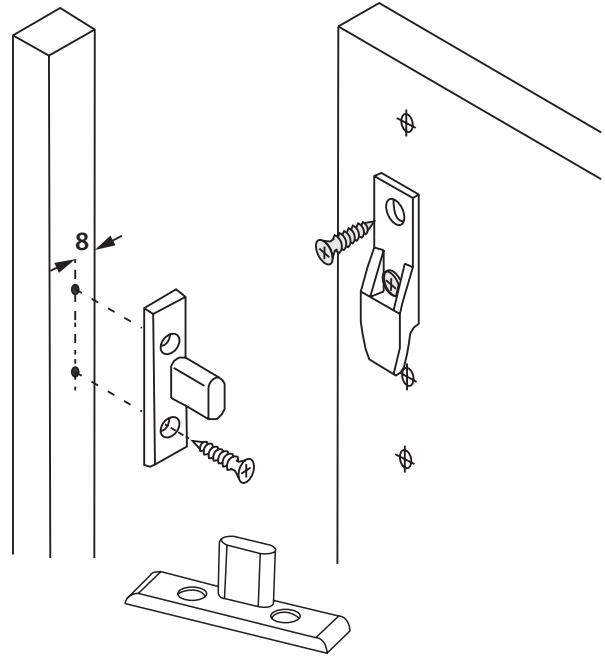
## SUSPENDED HANGER FITTING

Use for ceiling and wall coverings, panels and wainscots, trim panels for built-in cupboards and room dividers, and all types of cladding. Allows pre-assembly of sub-frames and fittings in the workshop. The fitting comprises two parts, a frame component and a panel component. All of the panels, once installed, can easily be removed at any time and with no special tools. Mounted with chip board screws.

**Material**  
PC, Black

**Max load capacity pr. set**  
20 kg

**Item No.:**  
Female Part for chipboard screws # 11.05.618  
Male Part for chipboard screws # 11.05.619



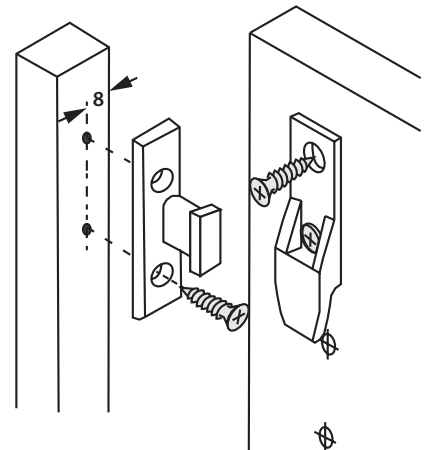
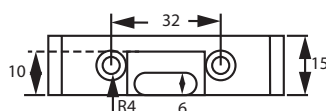
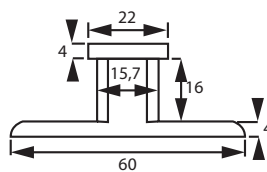
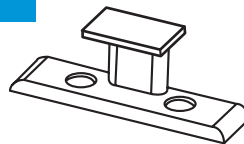
# 11.05.619      # 11.05.618

## SUSPENDED HANGER FITTING W/SIDE GUIDE

**Material**  
PC, Black

**Max load capacity pr. set**  
20 kg

**Item No.:**  
Male & female for chipboard screws # 11.05.621



# 11.05.621