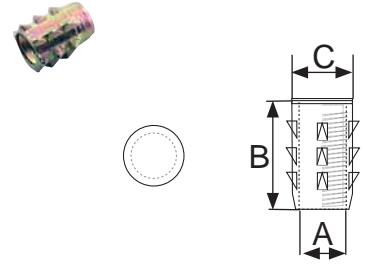


KNOCK IN BUSHING »A«

Material Zamak, Yellow Zinc Plated (YZP)

Type Knock in. No collar

| A | B | C | Finish | Item No. |
|----|-------|-------|--------|-------------|
| M4 | 10 mm | Ø5 mm | YZP | # 12.09.990 |

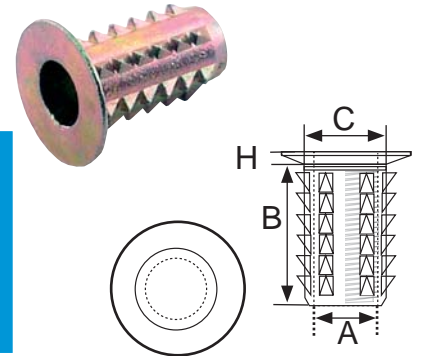


KNOCK IN BUSHING »BI«

Material Zamak, Yellow Zinc Plated (YZP)

Type Knock in. With countersunk collar

| A | B | C | H = Head | Finish | Item No. |
|----|-------|--------|------------|--------|-------------|
| M8 | 20 mm | Ø10 mm | Ø19 x 3 mm | YZP | # 12.10.000 |

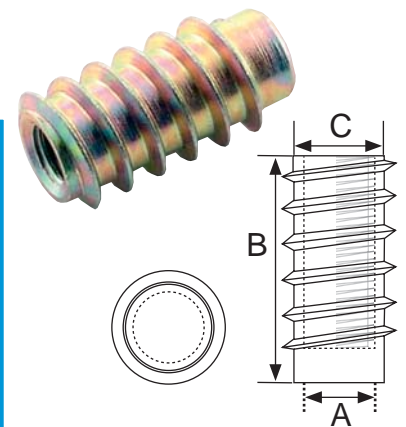


SCREW IN BUSHING »BL«

Material Steel, Yellow Zinc Plated (YZP)

Type Screw in by use of insert tool # 12.10.315.
Closed end & no collar

| A | B | C | Finish | Item No. |
|----|-------|----------|--------|-------------|
| M8 | 30 mm | Ø11,5 mm | YZP | # 12.10.179 |
| M8 | 39 mm | Ø11,5 mm | YZP | # 12.10.180 |

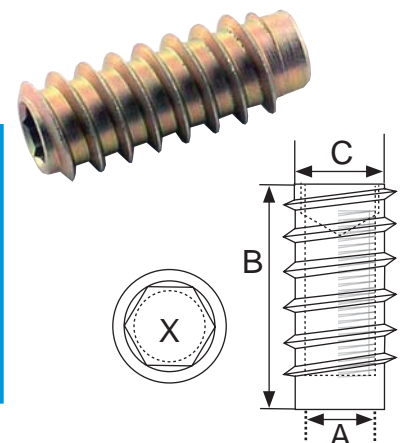


SCREW IN BUSHING »BL SK«

Material Steel, Yellow Zinc Plated (YZP)

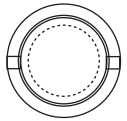
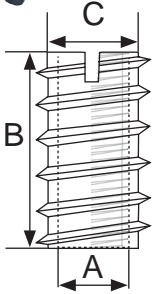
Type Screw in by use of hex key. Closed end & no collar

| A | B | C | X = Hex | Finish | Item No. |
|----|-------|----------|---------|--------|-------------|
| M8 | 30 mm | Ø11,5 mm | 8 mm | YZP | # 12.10.176 |
| M8 | 39 MM | Ø11,5 mm | 8 mm | YZP | # 12.10.177 |



BUSHINGS

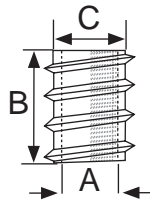
SCREW IN BUSHING »C«



Material Brass, Natural or Steel, Yellow Zinc Plated (YZP) or Bright Zinc Plated (BZP)

Type Screw in with slot. No collar

| A | B | C | Brass | A | B | C | YZP |
|----|---------|----------|-------------|----|---------|--------|-------------|
| M4 | 8,0 mm | Ø4,75 mm | # 12.10.002 | M6 | 10 mm | Ø8 mm | # 12.10.075 |
| M6 | 14,5 mm | Ø8 mm | # 12.10.106 | M6 | 12 mm | Ø8 mm | # 12.10.095 |
| A | B | C | BZP | A | B | C | YZP |
| M4 | 10 mm | Ø6 mm | # 12.10.008 | M6 | 14,5 mm | Ø8 mm | # 12.10.105 |
| M8 | 15 mm | Ø10 mm | # 12.10.151 | M8 | 20 mm | Ø10 mm | # 12.10.175 |



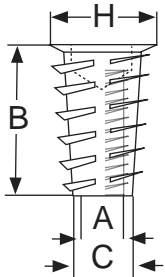
SCREW IN BUSHING »CV«

Material Steel, Yellow Zinc Plated (YZP)

Type Screw in by use of hex key. No collar

| A | B | C | YZP |
|----|-------|-------|-------------|
| M6 | 12 mm | Ø8 mm | # 12.10.096 |
| M6 | 15 mm | Ø8 mm | # 12.10.097 |

SCREW IN BUSHING »D«



Material Zamak, Yellow Zinc Plated (YZP)

Type Screw in by use of hex key. With collar

| A | B | C | H = Head | Finish | X = Hex | Item No |
|-----|-------|---------|----------|--------|-------------|-------------|
| M4 | 10 mm | Ø5,5 mm | Ø8,5 mm | YZP | 4 x 3,5 mm | # 12.10.185 |
| M5 | 10 mm | Ø7 mm | Ø11 mm | YZP | 5 x 3,5 mm | # 12.10.186 |
| M6 | 10 mm | Ø8 mm | Ø12 mm | YZP | 6 x 3,5 mm | # 12.10.188 |
| M6 | 13 mm | Ø8 mm | Ø12 mm | YZP | 6 x 3,5 mm | # 12.10.191 |
| M6 | 16 mm | Ø8 mm | Ø12 mm | YZP | 6 x 3,5 mm | # 12.10.195 |
| M6 | 20 mm | Ø8 mm | Ø12 mm | YZP | 6 x 3,5 mm | # 12.10.211 |
| M8 | 13 mm | Ø10 mm | Ø14,5 mm | YZP | 8 x 4,5 mm | # 12.10.215 |
| M8 | 20 mm | Ø10 mm | Ø14,5 mm | YZP | 8 x 5,5 mm | # 12.10.217 |
| M10 | 25 mm | Ø12 mm | Ø16 mm | YZP | 10 x 7,0 mm | # 12.10.219 |

LOW PROFILE SCREW IN BUSHING

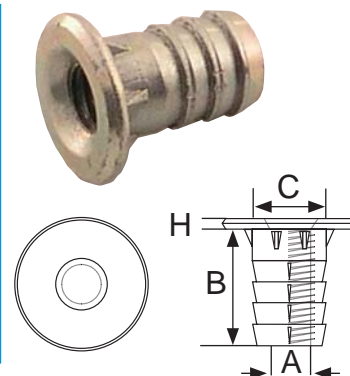


The only insert on the market especially designed with a very low profile for application in thin material such as veneer and plywood.

Item No.
M6 X 6/7 mm Yellow Zinc Plated # 12.10.500

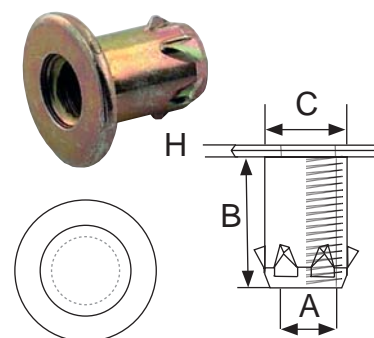
KNOCK IN BUSHING »DR«

| Material | Steel, Yellow Zinc Plated (YZP) or Bright Zinc Plated (BZP) | | | | |
|-----------------|---|----------|--------------|-------------|-------------|
| Type | Knock in. With collar | | | | |
| A | B | C | H = Head | YZP | BZP |
| M6 | 14 mm | Ø8,3 mm | Ø14 x 1,5 mm | # 12.10.710 | # 12.10.711 |
| M8 | 16 mm | Ø10,5 mm | Ø19 x 2,5 mm | # 12.10.721 | # 12.10.720 |
| M10 | 17 mm | Ø12,5 mm | Ø22 x 2,5 mm | # 12.10.730 | # 12.10.731 |



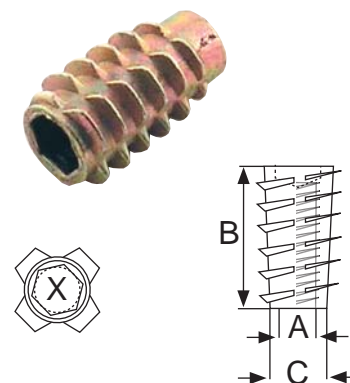
KNOCK IN BUSHING »DRN«

| Material | Steel, Yellow Zinc Plated (YZP) or Bright Zinc Plated (BZP) | | | | |
|-----------------|---|---------|---------------|-------------|-------------|
| Type | Knock in. With collar | | | | |
| A | B | C | H = Head | YZP | BZP |
| M6 | 14 mm | Ø8,5 mm | Ø15 x 2 mm | # 12.10.712 | # 12.10.713 |
| M8 | 16 mm | Ø11 mm | Ø19 x 2,25 mm | # 12.10.723 | # 12.10.722 |



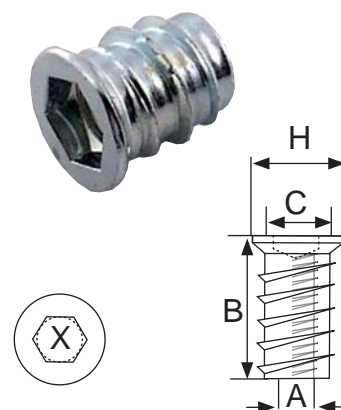
SCREW IN BUSHING »E«

| Material | Zamak, Yellow Zinc Plated (YZP) | | | |
|-----------------|---------------------------------------|----------|------------|-------------|
| Type | Screw in by use of hex key. No collar | | | |
| A | B | C | X = Hex | Item N0. |
| M6 | 13 mm | Ø7,5 mm | 6 x 4,5 mm | # 12.10.222 |
| M6 | 20 mm | Ø7,5 mm | 6 x 5,7 mm | # 12.10.223 |
| M8 | 13 mm | Ø10,5 mm | 8 x 5,0 mm | # 12.10.225 |
| M8 | 20 mm | Ø10,5 mm | 8 x 5,5 mm | # 12.10.226 |
| M8 | 25 mm | Ø10,5 mm | 8 x 5,5 mm | # 12.10.227 |



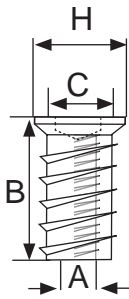
SCREW IN BUSHING »M«

| Material | Steel, Bright Zinc Plated (BZP) | | | | |
|-----------------|---|--------|-----------|----------|-------------|
| Type | Screw in by use of hex key. With countersunk collar | | | | |
| A | B | C | X = Hex | H = Head | Item No. |
| M6 | 12 mm | Ø8 mm | 6 X 2 mm | Ø9,8 mm | # 12.10.258 |
| M6 | 12 mm | Ø8 mm | 6 X 3 mm | Ø12 mm | # 12.10.259 |
| M6 | 15 mm | Ø8 mm | 6 X 3 mm | Ø12 mm | # 12.10.260 |
| M6 | 20 mm | Ø10 mm | 6 X 3 mm | Ø12 mm | # 12.10.265 |
| M8 | 15 mm | Ø10 mm | 8 X 3 mm | Ø14 mm | # 12.10.270 |
| M8 | 20 mm | Ø10 mm | 8 X 3 mm | Ø14 mm | # 12.10.290 |
| M8 | 24 mm | Ø10 mm | 8 X 3 mm | Ø14 mm | # 12.10.292 |
| M10 | 20 mm | Ø13 mm | 10 X 3 mm | Ø17 mm | # 12.10.293 |



BUSHINGS

SCREW IN BUSHING »MZ«

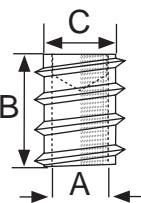


Material Zamak, Bright Zinc Plated (BZP)

Type Screw in by use of hex key. With countersunk collar

| A | B | C | X = Hex | H = Head | Item No. |
|----|-------|--------|------------|----------|-------------|
| M6 | 13 mm | Ø8 mm | 6 x 3,5 mm | Ø 12 mm | # 12.10.257 |
| M8 | 15 mm | Ø10 mm | 8 x 3,5 mm | Ø 14 mm | # 12.10.271 |

SCREW IN BUSHING »SK«

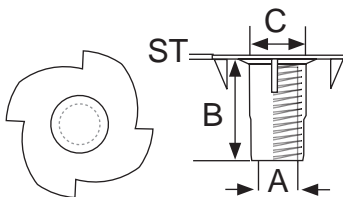


Material Steel, Yellow Zinc Plated (YZP) or Zamak (YZP)

Type Screw in by use of hex key. No collar

| A | B | C | X = Hex | YZP | Material |
|----|---------|----------|------------|-------------|----------|
| M6 | 13,5 mm | Ø8,25 mm | 6 x 3 mm | # 12.10.460 | Steel |
| M6 | 15 mm | Ø8,5 mm | 6 x 4,5 mm | # 12.10.461 | Zamak |

»T-NUT«



Material Steel, Bright Zinc Plated (BZP) or Plain
ST = Steel Thickness

Type Knock in, 4 Prongs

| A | B | C | ST | Item No. | Finish |
|-----|-------|-----------|--------|-------------|--------|
| M4 | 5 mm | Ø6,5 mm | 0,8 mm | # 12.11.001 | BZP |
| M5 | 8 mm | Ø6,5 mm | 0,8 mm | # 12.11.006 | BZP |
| M6 | 8 mm | Ø7,5 mm | 1,2 mm | # 12.11.011 | BZP |
| M6 | 11 mm | Ø7,5 mm | 1,2 mm | # 12.11.014 | BZP |
| M6 | 15 mm | Ø7,5 mm | 1,2 mm | # 12.11.017 | BZP |
| M8 | 10 mm | Ø9,5 mm | 1,2 mm | # 12.11.019 | BZP |
| M8 | 15 mm | Ø9,5 mm | 1,5 mm | # 12.11.021 | Plain |
| M10 | 11 mm | Ø9,5 mm | 1,5 mm | # 12.11.024 | BZP |
| M10 | 16 mm | Ø11,75 mm | 1,6 mm | # 12.11.027 | BZP |

TOOL FOR INSERTING SCREW IN BUSHING



Material Steel

Type Tool for inserting screw in bushing

| Thread | Item No. |
|--------|-------------|
| M6 | # 12.10.305 |
| M8 | # 12.10.315 |
| M10 | # 12.10.320 |

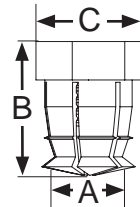
KNOCK IN BUSHINGS »EXPANSION«

Material Brass, Natural

Type Knock in. Without plastic ball or with ball for extra expansion

| A | B | C | Type | Item No. |
|----|---------|--------|-----------|-------------|
| M4 | 7,5 mm | 5,5 mm | No ball | # 12.10.335 |
| M4 | 10 mm | 5,5 mm | No ball | # 12.10.330 |
| M6 | 11,5 mm | 8 mm | No ball | # 12.10.340 |
| M6 | 11,5 mm | 8 mm | With ball | # 12.10.345 |

Pulling power: 100 Kg.

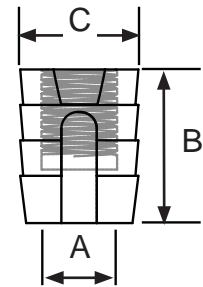


NYLON KNOCK IN BUSHING »N«

Material White nylon

Type Knock in. No collar. Closed end.

| A | B | C | Colour | Item No. |
|----|-------|--------|--------|-------------|
| M4 | 10 mm | Ø8 mm | White | # 12.11.315 |
| M6 | 10 mm | Ø8 mm | White | # 12.11.410 |
| M6 | 11 mm | Ø10 mm | White | # 12.11.420 |
| M6 | 13 mm | Ø10 mm | White | # 12.11.440 |
| M6 | 20 mm | Ø10 mm | White | # 12.11.465 |

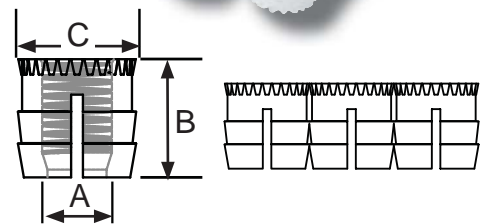


NYLON EXPANSION BUSHING »STRIPS«

Material White nylon

Type Knock in. With knurled collar. In strips of 24 pcs.

| A | B | C | Colour | Item No. |
|----|-------|--------|--------|-------------|
| M6 | 11 mm | Ø10 mm | White | # 12.11.430 |
| M6 | 13 mm | Ø10 mm | White | # 12.11.450 |



SELF-WINDING EXPANSION NYLON BUSHING

Material White nylon

Type Knock in. In strips of 30 pcs.

| A | B | C | Colour | Item No. |
|--------|---------|---------|--------|-------------|
| Ø 3 mm | 11,5 mm | Ø5,5 mm | White | # 12.11.351 |

